

PAYETTE RIVER ORCHARDS SUBDIVISION – HIGHLAND COMMUNITY  
APPROVED FENCING

[to be posted at [HighlandIdaho.com](http://HighlandIdaho.com) with illustration of approved fencing]

Vinyl: 6' Sand T&G Vinyl (see attached)

Wrought Iron: 4' Vista 2-Rail (see attached)



## Styles to suit any home.

Whatever your design needs, Ply Gem Fence & Railing manufactures a full range of vinyl and outdoor products to suit the look of any home and to meet any functional requirement.

- Routed construction means it looks great from any angle
- Supported by nationwide service and distribution
- Backed by a Limited Lifetime Warranty

## No wood. No work. No hassle.

More and more people like you are choosing vinyl outdoor products. You're choosing them because you want the classic look of wood without the upkeep or expense.

No need to paint, stain or replace rotted boards damaged by water or insects. Ply Gem Fence & Railing is a sustainable fencing option.

## Formulated for exceptional strength and beauty.

Only the best materials go into Ply Gem Fence & Railing products. We use the highest quality raw materials and the most advanced engineering techniques. Why? Because they make our products last longer and look better than other vinyl fence and railing products. Which, over time, makes customers very happy and helps you stand out from the competition.



Front Cover: Solid Privacy in Woodland Select™ Chestnut Brown  
Above: Solid Privacy in Almond



Solid Privacy in Tan



## PRIVACY AND SECURITY THAT'S EASY TO LIVE WITH.

Nothing finishes a property like a Ply Gem privacy fence. Choose Ply Gem with confidence, knowing our privacy fences are the low-maintenance choice, backed by one of the best Limited Lifetime Warranties in the business.

- Hard-working style without the hard work
- Feels and looks like painted wood, without the upkeep
- Ultimate peace of mind that's great to look at and easy to live with for years to come

## PRIVATE, STYLISH & MINIMAL MAINTENANCE.

We have made choosing a privacy fence easy by offering our great-looking selection of fence styles and colors in all price ranges. And our privacy fence looks great on both sides because of our routed construction.

- Classic style, engineered for affordability
- The broadest range of colors including our premier Woodland Select and variegated colors
- And our Limited Lifetime Transferable Warranty means no compromises



Solid Privacy in Woodland Select™ Aged Cedar



Semi-Privacy in Almond

### STANDARD COLORS



Tan Sandstone Khaki White Almond

### WOODLAND SELECT™ COLORS



Natural Cedar Redwood Aged Cedar Weathered Cedar Chestnut Brown



Solid Privacy in White



Solid Privacy in Woodland Select™ Redwood



Ply Gem Stone Solid Privacy Column Collection  
(Pictured here with Solid Privacy in Woodland Select™ Weathered Cedar)



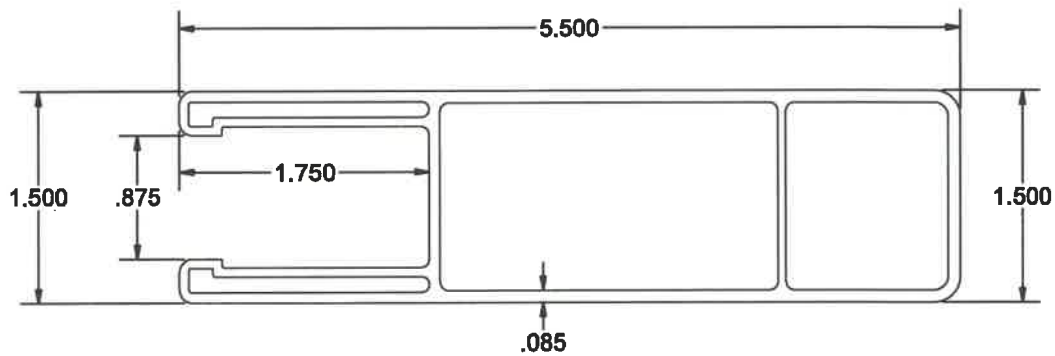
Privacy with Dropped Rail in White

### STANDARD COLORS



### WOODLAND SELECT™ COLORS

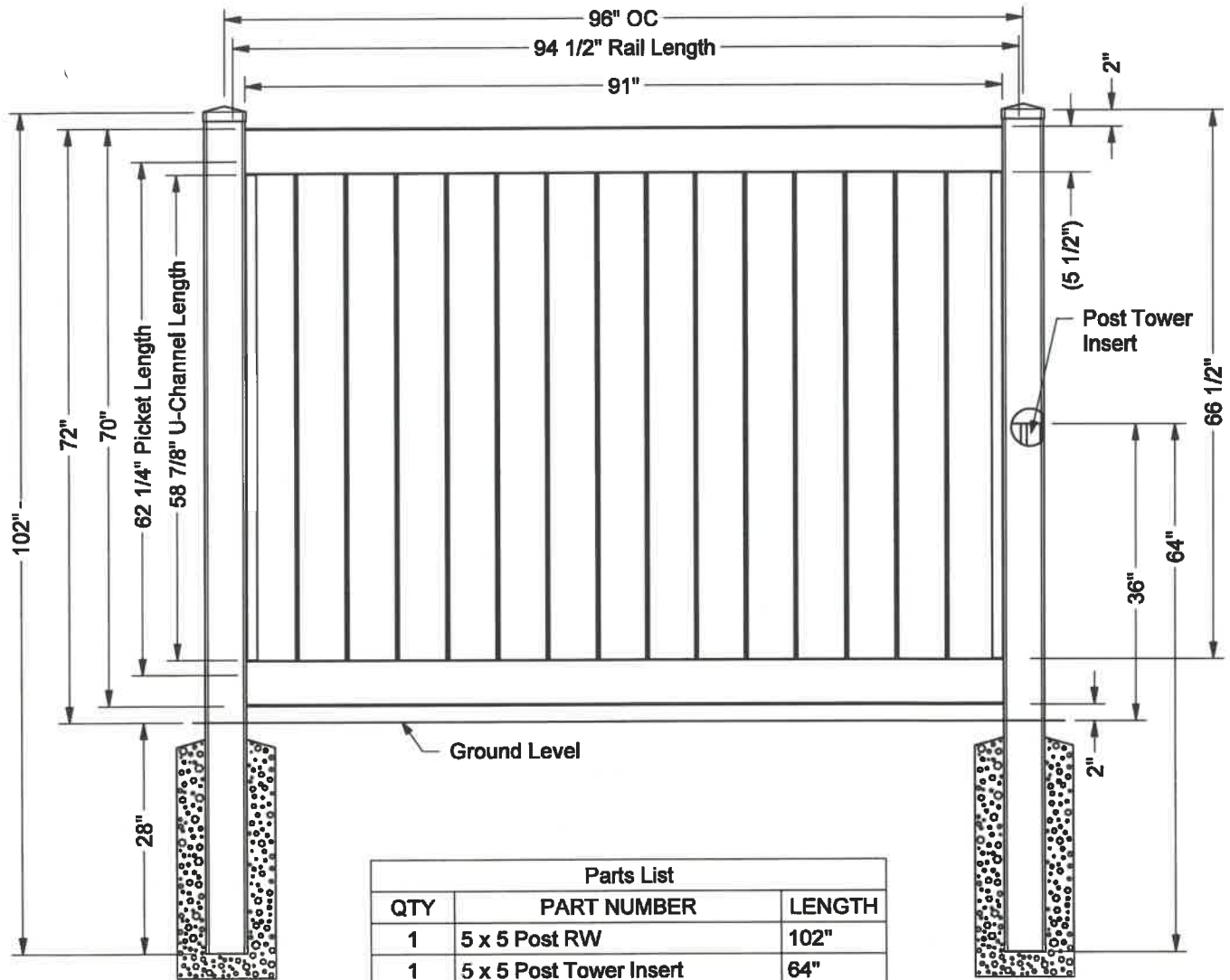




Do Not Scale Drawing Unless Otherwise Specified Dimensions are in Inches			<b>Ply Gem<sup>®</sup></b> FENCE & RAILING York, Nebraska	
			DRAWN BY RRQ	DATE 9/28/2017
ISSUED FOR		1 1/2 x 5 1/2 Slotted Profile Reference Drawing		
		CHECKED BY	DATE	REVISION NUMBER 0
		DRAWING NUMBER pr_pvc_1500_5500_085_xx_slotted.ipt		
MATERIAL PVC-+.085Ribbed		THIS PART SHOWN HEREIN IS A PROPRIETARY PRODUCT OF KROY BUILDING PRODUCTS, INC. AND THIS DOCUMENT SHALL NOT BE RELEASED, USED, DUPLICATED, OR DISCLOSED IN WHOLE OR IN PART FOR ANY PURPOSES WITHOUT EXPRESS WRITTEN PERMISSION OF KROY BUILDING PRODUCTS, INC. WHERE SUCH PERMISSION IS GRANTED. THIS LEGEND SHALL BE MARKED ON ANY REPRODUCTION HEREOF IN WHOLE OR IN PART. KROY BUILDING PRODUCTS, INC. RESERVES ALL RIGHTS TO THE DESIGN DISCLOSED HEREON.		
PART WEIGHT 0	PART VOLUME 0			1 OF 1

# 70" H x 96" W Classic Privacy

with 1 1/2 x 5 1/2 Rail & 7/8 x 6 T&G Picket



Parts List		
QTY	PART NUMBER	LENGTH
1	5 x 5 Post RW	102"
1	5 x 5 Post Tower Insert	64"
2	1 1/2 x 5 1/2 Slotted Rail	94 1/2"
1	1 1/2 x 5 1/2 Sltd Insert	94 1/2"
15	7/8 x 6 Picket	62 1/4"
2	7/8 U-Channel	58 7/8"
6	#10 x 3/4" Screw	3/4"
1	5 x 5 External Long Cap	N/A

THIS DRAWING WAS MADE AND INTENDED FOR USE AS A GUIDE ONLY. ANY PRODUCT SUBSTITUTION OR VARIANCE MAY COMPROMISE THE STRUCTURE, DESIGN AND PERFORMANCE OF THE PRODUCT. NO WARRANTY IS EXPRESSED OR IMPLIED BY THIS DRAWING AND PLY GEM FENCE & RAIL.

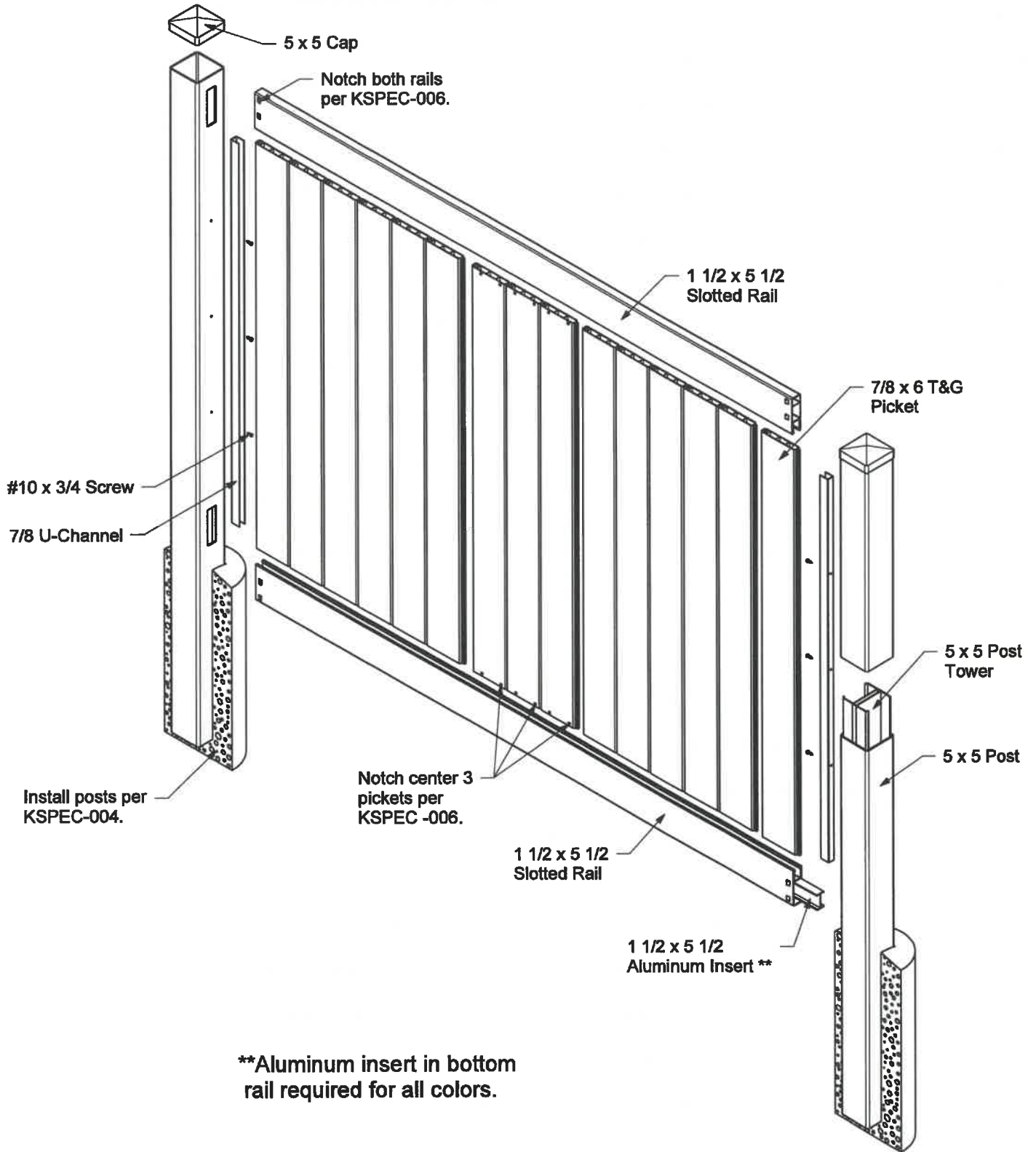
DRAWINGS ARE CONFIDENTIAL AND ARE THE PROPERTY OF PLY GEM FENCE & RAILING © NOV 2018.

## P407

Sheet 1 of 2  
11-12-18

# 70" H x 96" W Classic Privacy

with 1 1/2 x 5 1/2 Rails & 7/8 x 6 T&G Pickets



**\*\*Aluminum insert in bottom rail required for all colors.**

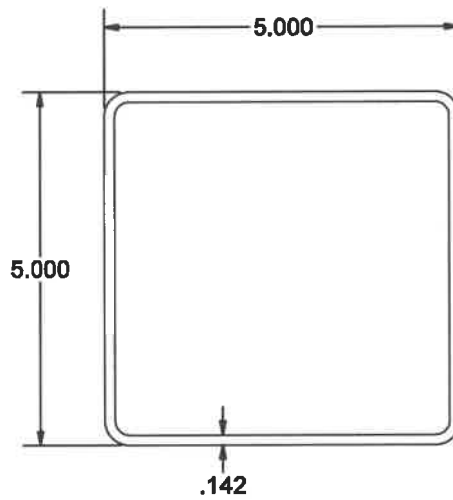
**THIS DRAWING WAS MADE AND INTENDED FOR USE AS A GUIDE ONLY. ANY PRODUCT SUBSTITUTION OR VARIANCE MAY COMPROMISE THE STRUCTURE, DESIGN AND PERFORMANCE OF THE PRODUCT. NO WARRANTY IS EXPRESSED OR IMPLIED BY THIS DRAWING AND PLY GEM FENCE & RAIL.**

**DRAWINGS ARE CONFIDENTIAL AND ARE THE PROPERTY OF PLY GEM FENCE & RAILING © NOV 2018.**

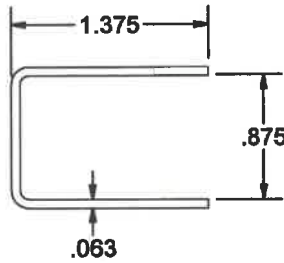
# P407


Sheet 2 of 2  
11-12-18

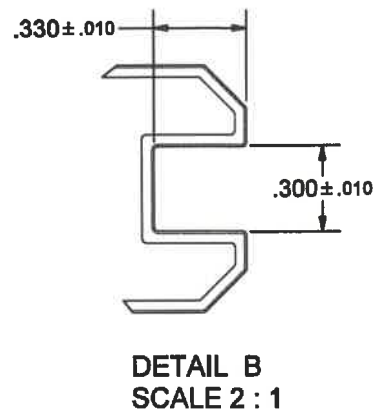
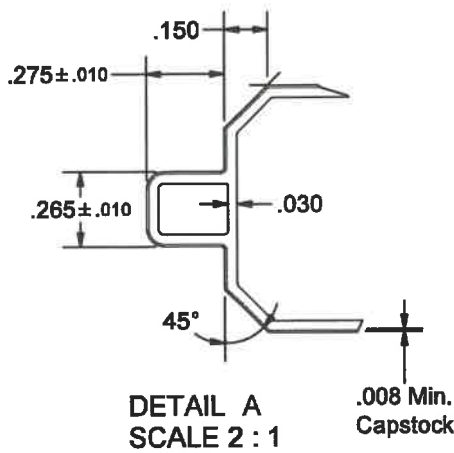
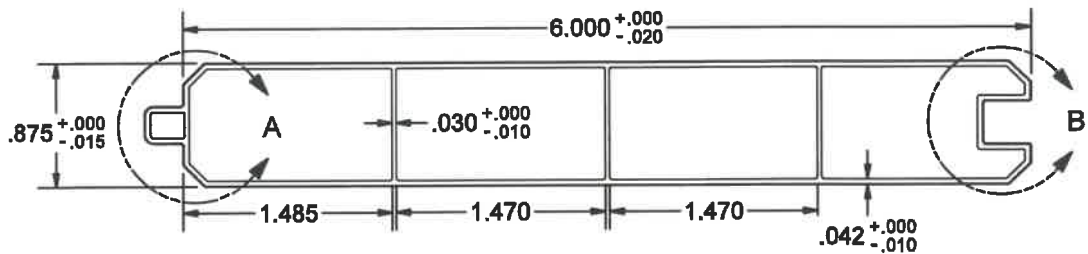




<p>Do Not Scale Drawing Unless Otherwise Specified Dimensions are in Inches</p>				<b>Ply Gem</b> <sup>®</sup> FENCE & RAILING York, Nebraska	
				DRAWN BY RRQ	DATE 9/29/2017
ISSUED FOR		CHECKED BY	DATE	REVISION NUMBER 0	CHANGE LETTER +
		DRAWING NUMBER po_pvc_5000_5000_142_GS.ipt			
MATERIAL PVC-+.085Ribbed	THE PART SHOWN HEREIN IS A PROPRIETARY PRODUCT OF KROY BUILDING PRODUCTS, INC. AND THIS DOCUMENT SHALL NOT BE RELEASED, USED, DUPLICATED, OR DISCLOSED IN WHOLE OR IN PART FOR ANY PURPOSE WITHOUT EXPRESS WRITTEN PERMISSION OF KROY BUILDING PRODUCTS, INC. WHERE SUCH PERMISSION IS GRANTED. THIS LEGEND SHALL BE MARKED ON ANY REPRODUCTION HEREOF IN WHOLE OR IN PART. KROY BUILDING PRODUCTS, INC. RESERVES ALL RIGHTS TO THE DESIGN DISCLOSED HEREIN.				SHEET 1 OF 1
PART WEIGHT 0	PART VOLUME 0				



<p>Do Not Scale Drawing Unless Otherwise Specified Dimensions are in Inches</p>		<p><b>Ply Gem</b><sup>®</sup> FENCE &amp; RAILING York, Nebraska</p>	
		<p>DRAWN BY: RRQ      DATE: 10/12/2017</p>	<p>7/8 U-Channel Profile Reference Drawing</p>
<p>ISSUED FOR</p>	<p>CHECKED BY</p>	<p>DATE</p>	<p>REVISION NUMBER: 0      CHANGE LETTER: *</p>
	<p>APPROVED BY</p>	<p>DATE</p>	<p>DRAWING NUMBER: pw_pvc_0875_xxx_083_xxx_U-channel.ipt</p>
<p>MATERIAL: PVC-.085 Open</p>	<p>THE PART SHOWN HEREIN IS A PROPRIETARY PRODUCT OF KROY BUILDING PRODUCTS, INC. AND THIS DOCUMENT SHALL NOT BE RELEASED, USED, DUPLICATED, OR DISCLOSED IN WHOLE OR IN PART FOR ANY PURPOSE WITHOUT EXPRESS WRITTEN PERMISSION OF KROY BUILDING PRODUCTS, INC. WHERE SUCH PERMISSION IS GRANTED. THIS LEGEND SHALL BE MARKED ON ANY REPRODUCTION HEREOF IN WHOLE OR IN PART. KROY BUILDING PRODUCTS, INC. RESERVES ALL RIGHTS TO THIS DESIGN DISCLOSED HEREIN.</p>		<p>1 OF 1</p>



Do Not Scale Drawing Unless Otherwise Specified Dimensions are in inches			<b>PlyGem</b> FENCE & RAILING York, Nebraska	
Tolerances x ± .030 .xx ± .010 .xxx ± .005 Angular ± 30° Fractions ± 1/16 Break all Sharp Edges .003-.015 Fillet .020 - .040 Walls +.000 -.015			DRAWN BY RRQ	DATE 10/13/2017
ISSUED FOR		APPROVED BY	DATE	REVISION NUMBER 0
MATERIAL PVC- +.085Ribbed		DRAWING NUMBER tool_pr_pvc_0875_6000_042_xx_tg-enduris.ipt		CHANGE LETTER *
PART WEIGHT 0		PART VOLUME 0		THIS PART SHOWN HEREIN IS A PROPRIETARY PRODUCT OF KROY BUILDING PRODUCTS, INC. AND THIS DOCUMENT SHALL NOT BE RELEASED, USED, DUPLICATED, OR DISCLOSED IN WHOLE OR IN PART FOR ANY PURPOSE WITHOUT EXPRESS WRITTEN PERMISSION OF KROY BUILDING PRODUCTS, INC. WHERE SUCH PERMISSION IS GRANTED, THIS LEGEND SHALL BE MARKED ON ANY REPRODUCTION HEREOF IN WHOLE OR IN PART. KROY BUILDING PRODUCTS, INC. RESERVES ALL RIGHTS TO THE DESIGN DESCRIBED HEREIN.
PARTS LIST				1 of 1
MATERIAL	VOLUME	Lbs / Ft		
PVC- +.085Ribbed	8.203 in <sup>3</sup>	0.445 lbmass		

Parts List		
MATERIAL	VOLUME	Lbs / Ft
PVC- +.085Ribbed	8.203 in <sup>3</sup>	0.445 lbmass

# Royal Guard **WROUGHT IRON FENCE**

Multiple styles  
and heights available.  
See back for details.



**\*10 YEAR  
LIMITED  
WARRANTY**

**FOR MORE  
INFORMATION  
CONTACT**



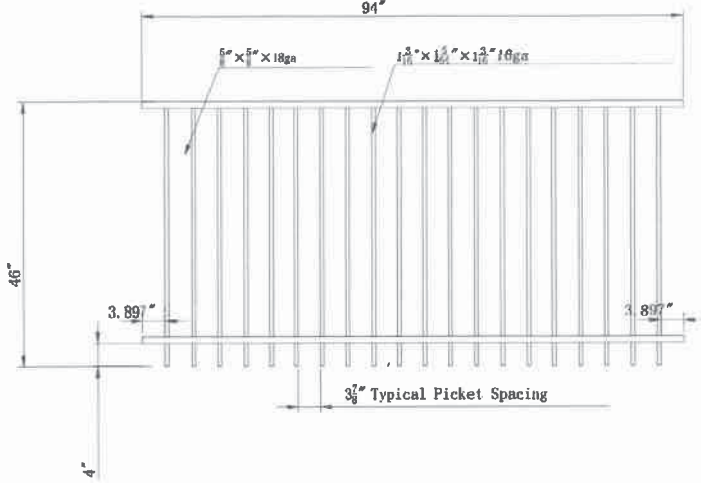
**MERIDIAN  
208-884-0203  
TWIN FALLS  
208-423-5440**

**Built Right • Built to Last**

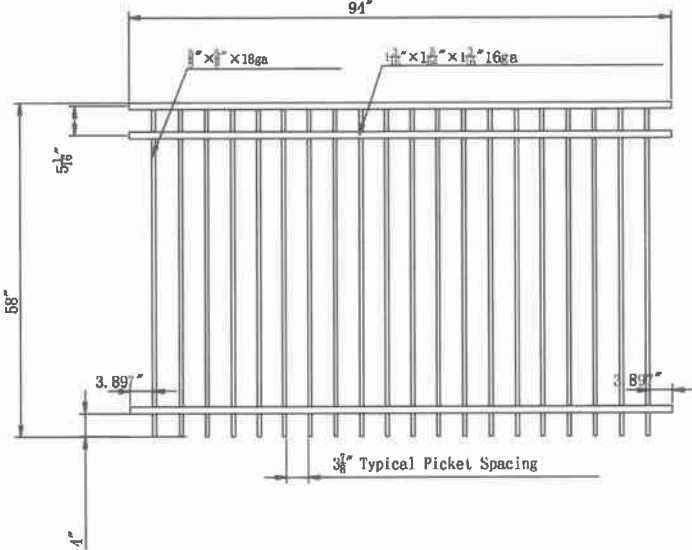
**buttefence.com**

\*See Royal Guard Warranty for details.

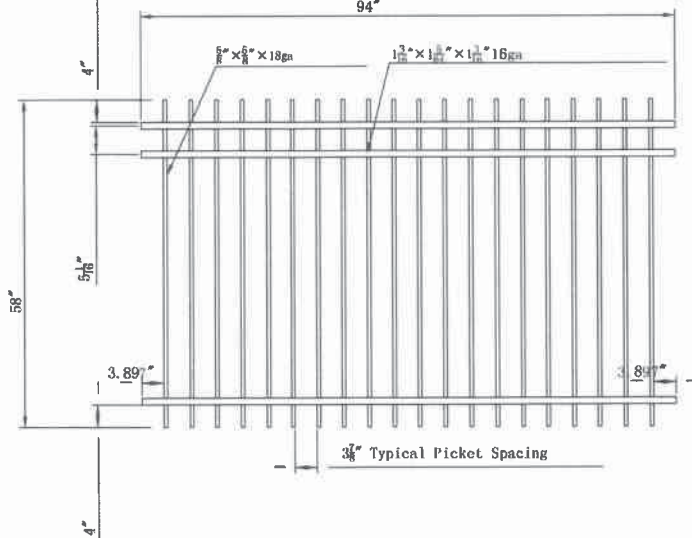
## 2-RAIL WESTERN



## 3-RAIL WESTERN

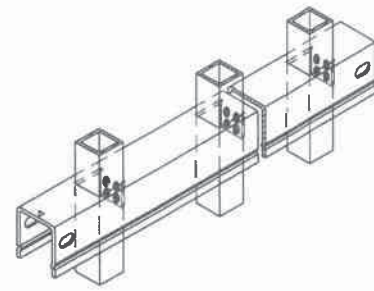


## 3-RAIL VISTA

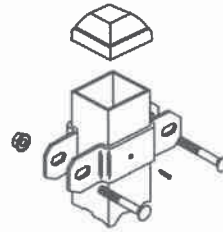


### NOTES:

- 1.) Post size depends on fence height and wind loads.  
2" Typical
- 3.) Three rails required for 6' tall.

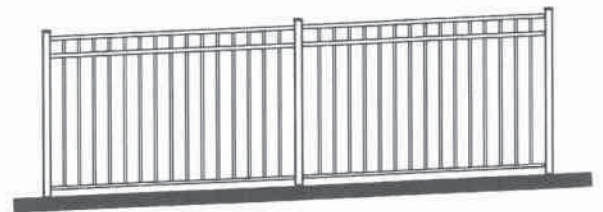


LINE BOULEVARD  
BRACKET



FLAT MOUNT  
BRACKET

## Rackable vs. Stair-Step



*Fully Rackable Panels*



*Stair-Stepping Panels*

A rackable panel gives you the capabilities of following steep grade changes. This eliminates stair-stepping panels with the flexibility of a 40" rise in an 8' run.

# \*10 YEAR LIMITED WARRANTY

\*See Royal Guard Warranty for details.